

Configured as an entry level portable analyzer, the TAG can be easily upgraded using a range of software options to provide a sophisticated instrument for testing broadcast infrastructures.

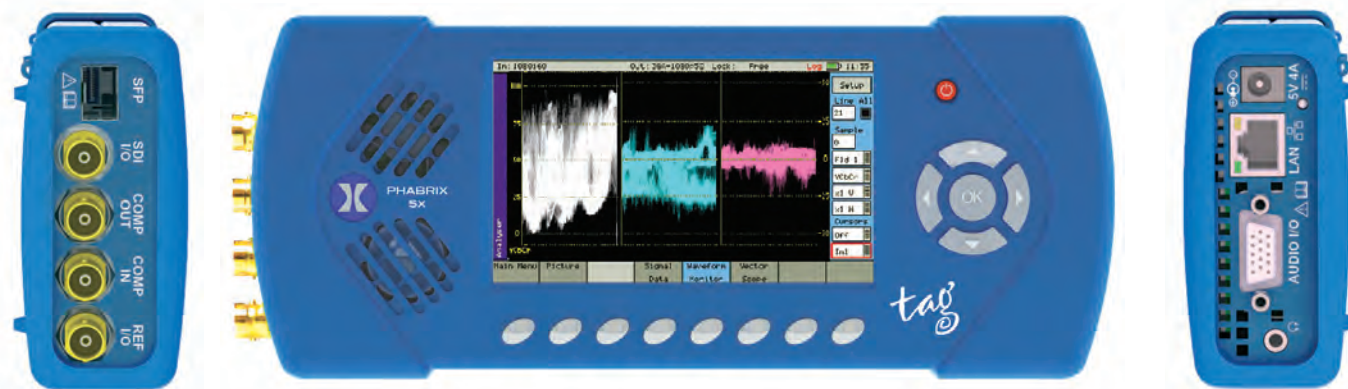
The PHABRIX® TAG has been created to incorporate new interfaces that appeal to customers looking for a cost effective entry into professional test and measurement. The PHABRIX® TAG includes support for SD-SDI and HD-SDI as standard with the option to upgrade to 3G-SDI (Level A and Level B). Composite analysis and generation has been incorporated to support those regions making the transition between analog and digital television.

An SFP cage has been integrated into the design principally for optical infrastructure testing, however, the cage will support a wider range of SFPs as they become available. Composite locking reference generation and input reference waveform analysis have also been included.

For audio support the PHABRIX® TAG provides a D15 breakout connector providing both balanced analog and AES input/output. AES waveform display allows a visual check of levels and reference lock. Advanced audio features including Dolby® E, Dolby® Digital and Dolby® Digital Plus are supported allowing TAG to be considered as a replacement for the discontinued Dolby® DM100.

FEATURE HIGHLIGHTS

- Multi-format Analyzer/Monitor
- SDI Generator is standard in TAG-C. Optional in TAG
- HD-SDI, SD-SDI & AES as standard
- 3G-SDI features as optional
- Analog Composite NTSC/PAL
- Balanced analog audio I/O
- Dual SFP cage for SDI-Optical
- High quality 16:9 picture monitor
- Waveform monitor, Vectorscope
- Reference waveform view, AES view
- 16 channel audio metering
- Dolby bitstream options available
- Comprehensive status logging
- Superior ease of use
- Rugged aluminium construction
- Ethernet based remote operation
- Battery + mains power
- Full range of Sx software options



PHABRIX® SX TAG Analyzer/Monitor/Generator

MONITOR

Display Resolution 480 x 272 pixels auto scaling
 Display Type 16:9 24 bit color TFT
 Display Size 95 x 54 mm

SDI VIDEO INPUTS/OUTPUTS

SDI Formats SD-SDI, HD-SDI, (3G-SDI Option)
 See www.phabrix.com for currently supported SMPTE formats
 SDI Input/Output 1 x 75 Ohm BNC
 EDH Yes (SD-SDI)

REFERENCE INPUT/OUTPUT

Genlock Bi/Tri/SDI with cross lock
 Ref Generator Bi-level PAL/NTSC +/-5ppm
 Generator timing 0 to 1 Frame WRT reference source

COMPOSITE VIDEO INPUT/OUTPUT

Composite Formats NTSC, PAL-M, PAL-N
 Composite Input 1 x 75 Ohm BNC
 Composite Output 1 x 75 Ohm BNC

SFP INPUT/OUTPUT

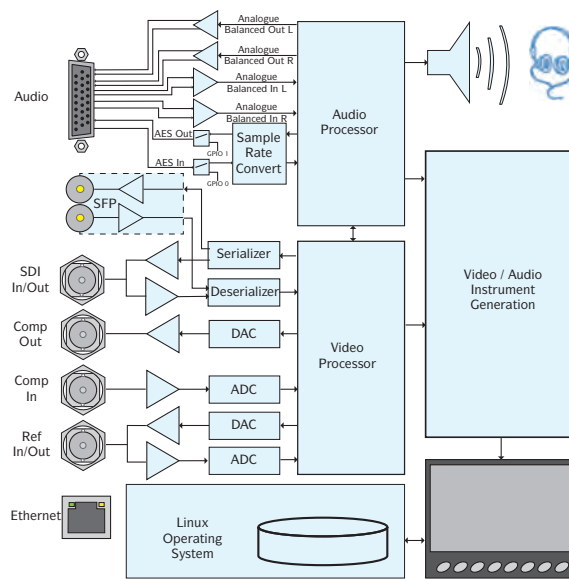
Interface Single Tx, Single Rx or Transceiver (Non-MSA)
 Module Types SDI Fibre, SDI Coaxial, HDMI
 See www.phabrix.com for supported modules

AUDIO

Internal Speaker 0.5 watts
 Audio DAC 24 bit stereo
 Headphone Socket 3.5 mm with auto line out
 Generator/Monitor 48 kHz 20-bit (SD-SDI) 24-bit (HD-SDI)
 Metering 16 channel PPM with phase indication
 AES Output 75 Ohm AES Pair via 15-way D-type
 AES Input 75 Ohm AES Pair via 15-way D-type
 Analog Output Balanced stereo pair via 15-way D-type
 Analog Input Balanced stereo pair via 15-way D-type

GENERAL

Navigation Panel 5 menu keys, 8 custom select
 Integral Battery Supply 2-3 hours lithium polymer
 Internal Storage 2 GB
 Remote Control Web Browser Interface
 Ethernet Web server, Remote control (TCP/IP Sockets)
 Carrying Case Included
 AC Power Supply Included (universal)
 Security Kensington™ lock fitting
 Weight 900g
 Size H: 92mm W: 225mm D: 42mm



Schematic of the PHABRIX Sx TAG



PHABRIX SFP's sold separately

Carry case and AC power supply as standard

Represented in the Americas by

LEADER

LEADER INSTRUMENTS CORPORATION

Email: Sales@LeaderAmerica.com
 Phone: (714) 527-9300
 Toll Free: (800) 645-5104
www.LeaderAmerica.com

