

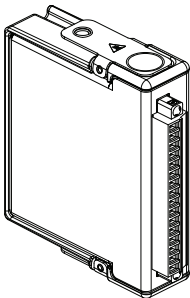
# OPERATING INSTRUCTIONS AND SPECIFICATIONS

# NI 9422

## 8-Channel, 24 V Sinking/Sourcing, Channel-to-Channel Isolated Digital Input Module

Français    Deutsch    日本語    한국어    简体中文

[ni.com/manuals](http://ni.com/manuals)



This document describes how to use the National Instruments 9422 and includes specifications and terminal assignments for the NI 9422. Visit `ni.com/info` and enter `rdsoftwareversion` to determine which software you need for the modules you are using. For information about installing, configuring, and programming the system, refer to the system documentation. Visit `ni.com/info` and enter `cseriesdoc` for information about C Series documentation.



**Note** The safety guidelines and specifications in this document are specific to the NI 9422. The other components in the system might not meet the same safety ratings and specifications. Refer to the documentation for each component in the system to determine the safety ratings and specifications for the entire system. Visit `ni.com/info` and enter `cseriesdoc` for information about C Series documentation.

# Safety Guidelines

---

Operate the NI 9422 only as described in these operating instructions.



**Hot Surface** This icon denotes that the component may be hot. Touching this component may result in bodily injury.

## Safety Guidelines for Hazardous Voltages

If hazardous voltages are connected to the module, take the following precautions. A hazardous voltage is a voltage greater than 42.4 V<sub>pk</sub> or 60 VDC to earth ground.



**Caution** Ensure that hazardous voltage wiring is performed only by qualified personnel adhering to local electrical standards.



**Caution** Do *not* mix hazardous voltage circuits and human-accessible circuits on the same module.

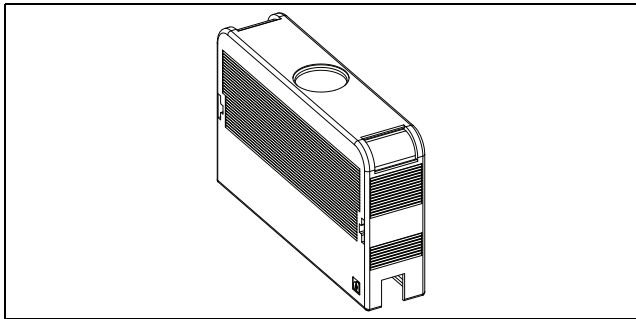


**Caution** Make sure that devices and circuits connected to the module are properly insulated from human contact.



**Caution** When module terminals are hazardous voltage LIVE ( $>42.4 V_{pk}/60 VDC$ ), you must ensure that devices and circuits connected to the module are properly insulated from human contact. You must use the NI 9939 connector backshell to ensure that the terminals are *not* accessible.

Figure 1 shows the NI 9939 connector backshell.



**Figure 1.** NI 9939 Connector Backshell

## Safety Guidelines for Hazardous Locations

The NI 9422 is suitable for use in Class I, Division 2, Groups A, B, C, D, and T4 hazardous locations and nonhazardous locations only. Follow these guidelines if you are installing the NI 9422 in a potentially explosive environment. Not following these guidelines may result in serious injury or death.



**Caution** Do *not* disconnect I/O-side wires or connectors unless power has been switched off or the area is known to be nonhazardous.



**Caution** Do *not* remove modules unless power has been switched off or the area is known to be nonhazardous.



**Caution** Substitution of components may impair suitability for Class I, Division 2.

## Special Conditions for Marine Applications

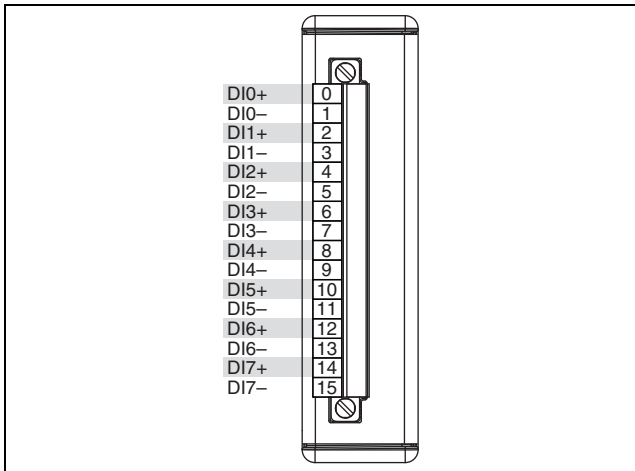
Some modules are Lloyd's Register (LR) Type Approved for marine applications. To verify Lloyd's Register certification, go to [ni.com/certification](http://ni.com/certification) and search for the LR certificate, or look for the Lloyd's Register mark on the module.



**Caution** To meet radio frequency emission requirements for marine applications, use shielded cables and install the system in a metal enclosure. Suppression ferrites must be installed on power supply inputs near power entries to modules and controllers. Power supply and module cables must be separated on opposite sides of the enclosure and must enter and exit through opposing enclosure walls.

## Connecting the NI 9422

The NI 9422 has a 16-terminal, detachable screw-terminal connector that provides connections for 8 digital input channels.



**Figure 2.** NI 9422 Terminal Assignments

The NI 9422 digital input channels are floating. Each channel has two terminals, DI+ and DI-, to which you can connect voltage signals. The NI 9422 measures whether the difference between the DI+ and DI- terminals is greater than or less than the digital logic levels. Refer to the *Specifications* section for more information about digital logic levels.



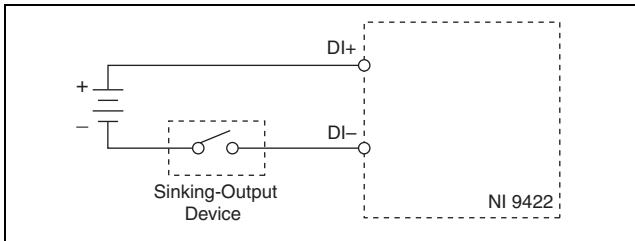
**Note** You must use 2-wire ferrules to create a secure connection when connecting more than one wire to a single terminal on the NI 9422.

The NI 9422 channel registers as ON when the external device drives a current or applies a voltage that is in the input ON range across the DI terminal. The channel registers as OFF when the device drives a current or applies a voltage that is in the input OFF range across the DI terminal. If no device is connected to DI, the channel registers as OFF. Refer to the *Specifications* section for more information about the ON and OFF states.



## Connecting Sinking-Output Devices to the NI 9422

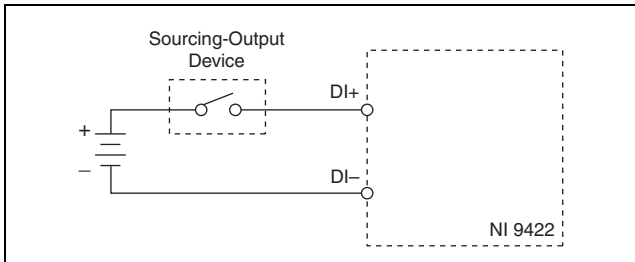
You can connect sinking-output devices to the NI 9422. A sinking-output device provides a path for current or voltage from the DI+ or DI- terminal. An example of a sinking-output device is an open collector NPN. Connect the device to the DI+ and DI- terminals on the NI 9422. Figure 3 shows a possible configuration.



**Figure 3.** Connecting a Sinking-Output Device to the NI 9422

## Connecting Sourcing-Output Devices to the NI 9422

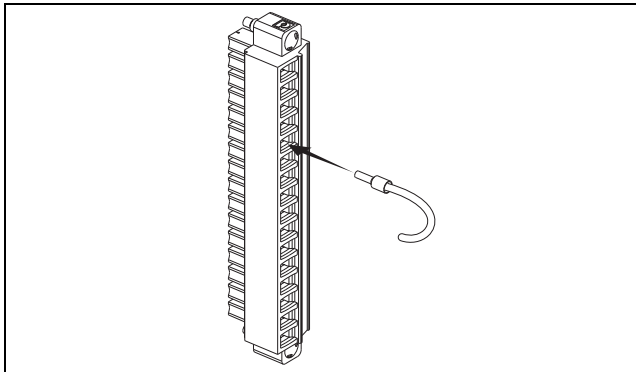
You can connect sourcing-output devices to the NI 9422. A sourcing-output device drives current or applies voltage to the DI+ or DI- terminal. An example of a sourcing-output device is an open collector PNP. Connect the device to the DI+ and DI- terminals on the NI 9422. Figure 4 shows a possible configuration.



**Figure 4.** Connecting a Sourcing-Output Device to the NI 9422

## Wiring for High-Vibration Applications

If an application is subject to high vibration, National Instruments recommends that you either use ferrules to terminate wires to the detachable screw-terminal connector or use the NI 9939 backshell kit to protect the connections. Refer to Figure 5 for an illustration of using ferrules. Refer to Figure 1 for an illustration of the NI 9939 connector backshell.



**Figure 5.** 16-Terminal Detachable Screw-Terminal Connector with Ferrule

# Sleep Mode

---

This module supports a low-power sleep mode. Support for sleep mode at the system level depends on the chassis that the module is plugged into. Refer to the chassis manual for information about support for sleep mode. If the chassis supports sleep mode, refer to the software help for information about enabling sleep mode. Visit [ni.com/info](http://ni.com/info) and enter `cseriesdoc` for information about C Series documentation.

Typically, when a system is in sleep mode, you cannot communicate with the modules. In sleep mode, the system consumes minimal power and may dissipate less heat than it does in normal mode. Refer to the *Specifications* section for more information about power consumption and thermal dissipation.

# Specifications

---

The following specifications are typical for the range  $-40$  to  $70$  °C unless otherwise noted. All voltages are relative to the DI- signal on each channel unless otherwise noted.

## Input Characteristics

Number of channels ..... 8 digital input channels

Input type ..... Sinking/sourcing

Digital logic levels

OFF state

Input voltage .....  $\leq 5$  V

Input current .....  $\leq 0.17$  mA

ON state

Input voltage ..... 11 to 60 V

Input current .....  $\geq 1.2$  mA

I/O protection

Input voltage .....  $250 V_{\text{rms}}$  max

Input current ..... 4 mA max, internally limited

## Input delay time

OFF to ON..... 250  $\mu$ s max,  
4  $\mu$ s typical

ON to OFF..... 250  $\mu$ s max,  
130  $\mu$ s typical

MTBF ..... 1,220,439 hours at 25 °C;  
Bellcore Issue 2, Method 1,  
Case 3, Limited Part Stress  
Method



**Note** Contact NI for Bellcore MTBF specifications at other temperatures or for MIL-HDBK-217F specifications.

## Power Requirements

### Power consumption from chassis

Active mode ..... 55 mW max

Sleep mode ..... 2 mW max

### Thermal dissipation (at 70 °C)

Active mode ..... 1.4 W

Sleep mode ..... 1.25 W

## Physical Characteristics

If you need to clean the module, wipe it with a dry towel.



**Note** For two-dimensional drawings and three-dimensional models of the C Series module and connectors, visit [ni.com/dimensions](http://ni.com/dimensions) and search by module number.

|                                  |   |
|----------------------------------|---|
| Screw-terminal wiring .....      | 16 to 28 AWG copper conductor wire with 7 mm (0.28 in.) of insulation stripped from the end |
| Torque for screw terminals ..... | 0.22 to 0.25 N · m (1.95 to 2.21 lb · in.)  |
| Ferrules .....                   | 0.25 mm <sup>2</sup> to 0.5 mm <sup>2</sup>   |
| Weight.....                      | 131 g (4.7 oz)  |

# Safety

## Safety Voltages

Connect only voltages that are within the following limits.

Between any two terminals..... 250 V<sub>rms</sub>, max

### Isolation

#### Channel-to-channel

Continuous ..... 250 V<sub>rms</sub>,

Measurement Category II

Withstand ..... 1,390 V<sub>rms</sub>, verified by a 5 s dielectric withstand test

#### Channel-to-earth ground

Continuous ..... 250 V<sub>rms</sub>,

Measurement Category II

Withstand ..... 2,300V<sub>rms</sub>, verified by a 5 s dielectric withstand test

Measurement Category II is for measurements performed on circuits directly connected to the electrical distribution system. This category refers to local-level electrical distribution, such as that provided by a standard wall outlet, for example, 115 V for U.S. or 230 V for Europe.





**Caution** Do *not* connect the NI 9422 to signals or use for measurements within Measurement Categories III or IV.

## Hazardous Locations

U.S. (UL) ..... Class I, Division 2,  
Groups A, B, C, D, T4



**Note** The NI 9422 is not approved for use in hazardous locations in Europe or Canada.

## Safety Standards

This product meets the requirements of the following standards of safety for electrical equipment for measurement, control, and laboratory use:

- IEC 61010-1, EN 61010-1
- UL 61010-1, CSA 61010-1



**Note** For UL and other safety certifications, refer to the product label or the [Online Product Certification](#) section.

## Electromagnetic Compatibility

This product meets the requirements of the following EMC standards for electrical equipment for measurement, control, and laboratory use:

- EN 61326 (IEC 61326): Class A emissions; Industrial immunity
- EN 55011 (CISPR 11): Group 1, Class A emissions
- AS/NZS CISPR 11: Group 1, Class A emissions
- FCC 47 CFR Part 15B: Class A emissions
- ICES-001: Class A emissions



**Note** For the standards applied to assess the EMC of this product, refer to the [Online Product Certification](#) section.



**Note** For EMC compliance, operate this device with shielded cables.

## CE Compliance

This product meets the essential requirements of applicable European Directives as follows:

- 2006/95/EC; Low-Voltage Directive (safety)
- 2004/108/EC; Electromagnetic Compatibility Directive (EMC)

## Online Product Certification

Refer to the product Declaration of Conformity (DoC) for additional regulatory compliance information. To obtain product certifications and the DoC for this product, visit [ni.com/certification](http://ni.com/certification), search by module number or product line, and click the appropriate link in the Certification column.

## Shock and Vibration

To meet these specifications, you must panel mount the system and either affix ferrules to the ends of the terminal wires or use the NI 9939 backshell kit to protect the connections.

### Operating vibration

Random (IEC 60068-2-64)..... 5 g<sub>rms</sub>, 10 to 500 Hz

Sinusoidal (IEC 60068-2-6) ..... 5 g, 10 to 500 Hz

### Operating shock

(IEC 60068-2-27)..... 30 g, 11 ms half sine,  
50 g, 3 ms half sine,  
18 shocks at 6 orientations

## Environmental

National Instruments C Series modules are intended for indoor use only but may be used outdoors if installed in a suitable enclosure. Refer to the manual for the chassis you are using for more information about meeting these specifications.

### Operating temperature

(IEC 60068-2-1, IEC 60068-2-2) ..... -40 to 70 °C

### Storage temperature

(IEC 60068-2-1, IEC 60068-2-2) ..... -40 to 85 °C

|   |                                |
|---|--------------------------------|
| Ingress protection.....                     | IP 40                          |
| Operating humidity<br>(IEC 60068-2-56)..... | 10 to 90% RH,<br>noncondensing |
| Storage humidity<br>(IEC 60068-2-56).....   | 5 to 95% RH,<br>noncondensing  |
| Maximum altitude.....                       | 2,000 m                        |
| Pollution Degree .....                      | 2                              |

## Environmental Management

National Instruments is committed to designing and manufacturing products in an environmentally responsible manner. NI recognizes that eliminating certain hazardous substances from our products is beneficial to the environment and to NI customers.

For additional environmental information, refer to the *NI and the Environment* Web page at [ni.com/environment](http://ni.com/environment). This page contains the environmental regulations and directives with which NI complies, as well as other environmental information not included in this document.

## Waste Electrical and Electronic Equipment (WEEE)



**EU Customers** At the end of the life cycle, all products *must* be sent to a WEEE recycling center. For more information about WEEE recycling centers and National Instruments WEEE initiatives, visit [ni.com/environment/weee](http://ni.com/environment/weee).

## 电子信息产品污染控制管理办法（中国 RoHS）



**中国客户** National Instruments 符合中国电子信息产品中限制使用某些有害物质指令 (RoHS)。关于 National Instruments 中国 RoHS 合规性信息，请登录 [ni.com/environment/rohs\\_china](http://ni.com/environment/rohs_china)。(For information about China RoHS compliance, go to [ni.com/environment/rohs\\_china](http://ni.com/environment/rohs_china).)

## Where to Go for Support

---

The National Instruments Web site is your complete resource for technical support. At [ni.com/support](http://ni.com/support) you have access to everything from troubleshooting and application development self-help resources to email and phone assistance from NI Application Engineers.

National Instruments corporate headquarters is located at 11500 North Mopac Expressway, Austin, Texas, 78759-3504. National Instruments also has offices located around the world to help address your support needs. For telephone support in the United States, create your service request at [ni.com/support](http://ni.com/support) and follow the calling instructions or dial 512 795 8248. For telephone support outside the United States, contact your local branch office:

Australia 1800 300 800, Austria 43 662 457990-0,  
Belgium 32 (0) 2 757 0020, Brazil 55 11 3262 3599,  
Canada 800 433 3488, China 86 21 5050 9800,  
Czech Republic 420 224 235 774, Denmark 45 45 76 26 00,  
Finland 358 (0) 9 725 72511, France 01 57 66 24 24,  
Germany 49 89 7413130, India 91 80 41190000,  
Israel 972 3 6393737, Italy 39 02 41309277, Japan 0120-527196,

Korea 82 02 3451 3400, Lebanon 961 (0) 1 33 28 28,  
Malaysia 1800 887710, Mexico 01 800 010 0793,  
Netherlands 31 (0) 348 433 466, New Zealand 0800 553 322,  
Norway 47 (0) 66 90 76 60, Poland 48 22 328 90 10,  
Portugal 351 210 311 210, Russia 7 495 783 6851,  
Singapore 1800 226 5886, Slovenia 386 3 425 42 00,  
South Africa 27 0 11 805 8197, Spain 34 91 640 0085,  
Sweden 46 (0) 8 587 895 00, Switzerland 41 56 2005151,  
Taiwan 886 02 2377 2222, Thailand 662 278 6777,  
Turkey 90 212 279 3031, United Kingdom 44 (0) 1635 523545

National Instruments, NI, ni.com, and LabVIEW are trademarks of National Instruments Corporation. Refer to the *Terms of Use* section on [ni.com/legal](http://ni.com/legal) for more information about National Instruments trademarks. Other product and company names mentioned herein are trademarks or trade names of their respective companies. For patents covering National Instruments products/technology, refer to the appropriate location: **Help»Patents** in your software, the `patents.txt` file on your media, or the *National Instruments Patent Notice* at [ni.com/patents](http://ni.com/patents).

© 2006–2009 National Instruments Corp. All rights reserved.