



matrIQ-EDFA-1001

matrIQ-EDFA™

Erbium-Doped Fiber Amplifier

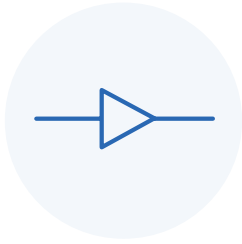
SPEC SHEET

The matrIQ-EDFA is a high-power Erbium-Doped Fiber Amplifier for optical signal amplification in C and L bands. It's a versatile instrument with three control modes: constant power, constant current and constant gain mode.

Our matrIQ Series of optical test instruments offer uncompromised performance in a compact, stackable design and come with intuitive software controls and simple USB and Ethernet connectivity.



Features



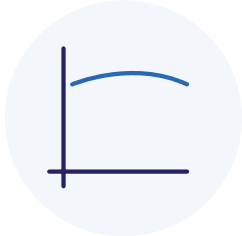
High output power

Get up to 24.5 dBm amplified output power for all your high-power requirements.



Constant power output mode

With the built-in closed-loop power monitoring, matrIQ-EDFA can operate in the constant power output mode to stabilize fluctuating input power.



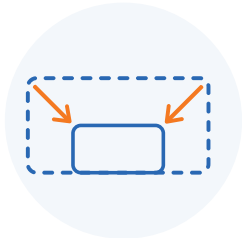
High gain flatness

The matrIQ-EDFA-1002 model offers a high gain flatness of less than ± 2.5 dB for high quality, low distortion amplification of broadband signals.



USB and Ethernet operation

Connect to matrIQ-EDFA with USB and/or Ethernet for simple setup and operation.



Drastically reduce the footprint of your test setup

Replace bulky individual optical test instruments and save valuable lab space.



Simple, intuitive operation with cohesionUI™

cohesionUI makes it simple to control matrIQ-EDFA from your PC or mobile device.

Target Applications

- Fiber optic communications signal power amplification
- OSNR stress test noise loading
- Amplification of high data rate modulated signals.

Ultra Compact & Portable Design



Our matrIQ™ range of compact USB and Ethernet instruments are designed to be portable and versatile, without sacrificing performance.

With a stackable and well-balanced design, they make it easy to stack vertically and save valuable bench space.

Technical Specifications

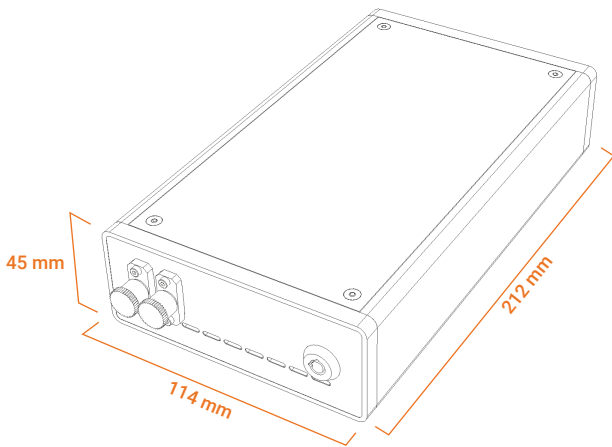
General Specifications	matriQ-EDFA	
Bus connection	USB and Ethernet	
Optical connector type	FC/PC,SC/PC,FC/APC or SC/APC	
Dimensions (H x W x D)	45 x 114 x 212 mm 1.7 x 4.5 x 8.3 inch	
Weight	~ 1.1 kg ~ 2.4 lbs	
Operating temperature range	5 °C to 45 °C 41 °F to 113 °F	
Storage temperature range	-40 °C to 70 °C -40 °F to 158 °F	
Model Number	1001	1002
Wavelength	1530 to 1562 nm	
Fiber type	SMF-28	
Total output power (adjustable) ¹	21 to 24.5 dBm	20 to 23 dBm
PDG	<0.5 dB	
Noise figure	<5.0 dB (Typical)	
Gain flatness	± 8 dB	± 2.5 dB
Max input power	12 dBm	

PRELIMINARY SPECS AS OF SEPTEMBER 2019

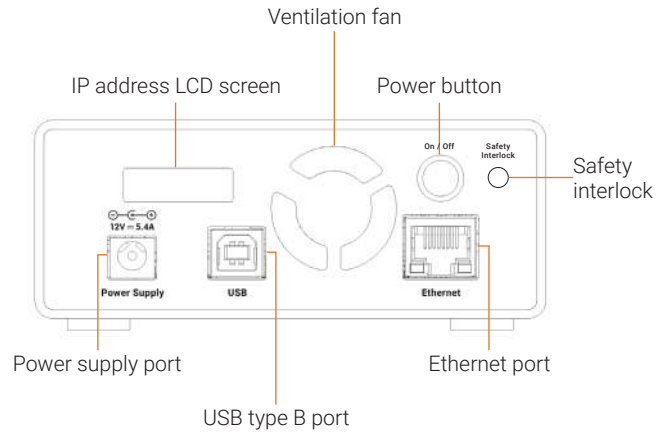
Notes

1 In constant output power mode.

Instrument Dimensions



Rear Panel Connections



Ordering Information

EDFAMatrIQ - XXXX - XX

Model number

1001 = 24.5 dBm, ± 8 dB gain flatness
1002 = 23 dBm, ± 2.5 dB gain flatness

Connector type

FC = FC/PC
FA = FC/APC
SC = SC/PC
SA = SC/APC



Product Warranty

This product comes with a 3 year warranty.

About Coherent Solutions

Coherent Solutions is a world-leader in photonics test and measurement. Our portfolio of benchtop and modular test instruments is rapidly expanding to meet the needs of scientists, engineers and manufacturers around the world. No matter where you are, we'll work with you to solve complex problems with simple, intuitive solutions.

To find out more, get in touch with us today.

Coherent Solutions Ltd

General enquiries: sales@coherent-solutions.com

Technical support: support@coherent-solutions.com

Telephone: +64 9 478 4849

North America: +1-800-803-8872

www.coherent-solutions.com

www.linkedin.com/company/coherent-solutions-ltd

www.facebook.com/CoherentSolutionsLtd

www.youtube.com/CoherentSolutionsLtd